

BENTE

28

WHEN „BEING FREE“ IS YOUR STATUS, THE BENTE IS YOUR SYMBOL.

Leisure time means freedom – to decide whether to sail close to the wind, downwind with the gennaker, or to simply enjoy a relaxed cruise with your family. The BENTE28 offers every possibility with zero restrictions. It not only offers a dynamic and safe sailing experience, but also outstanding comfort and a wide range of customisable equipment. In short, the BENTE28 is the ideal symbiosis of an unrestricted family-friendly and sporty modern yacht.

The fact that the BENTE28 also stands out due to its independent, distinctive design by judel/vrolijk will be recognised at the latest by the curious glances of other sailors. And you can be a little proud of that.





GOOD REASONS, TO CHOOSE THE **28**

The BENTE28 combines modern and sporty sailing with comfortable living.

- Stable upwind performance due to a high ballast ratio and double rudder system
- Good broad-reach performance due to a wide, flat stern and large gennaker
- Exceptionally manoeuvrable at sea and in port
- Comfortable single-handed sailing
- Individual color design of the Dodger possible
- Feel-good factor thanks to plentiful daylight and air as well as large windows
- Generous space concept with ample headroom below deck and numerous innovative details
- Large range of accessories to customise all yacht equipment
- Choice of two engine variants (diesel or electric)

WE SHOW OUR COLOURS (Individual color design possible by foiling the dodger)



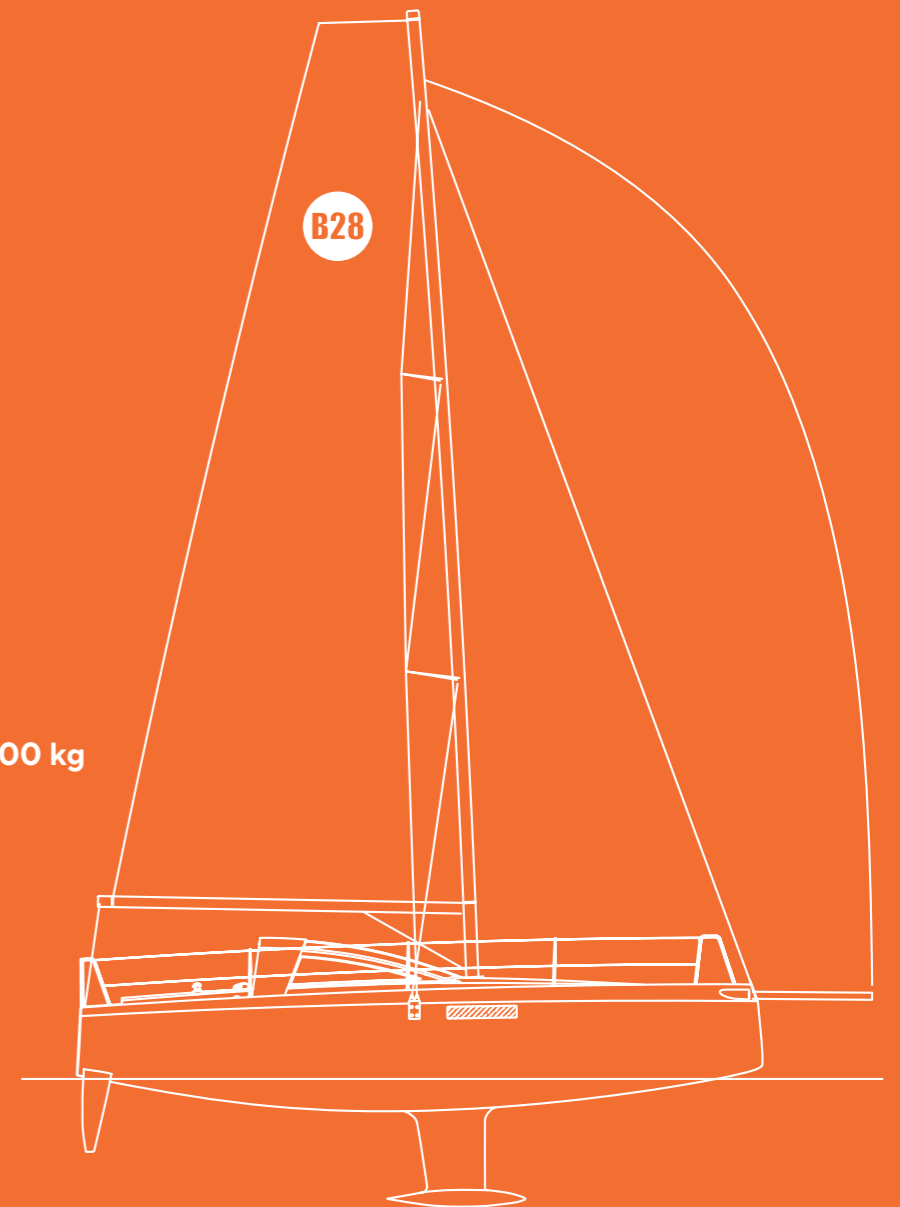
OUR CONCEPT: SAIL DIFFERENT.

The striking yacht concept, reduced to the essentials, with the outstanding, typical BENTE design by judel/vrolijk, impresses with its excellent sailing characteristics. The BENTE28 is thus not merely an elegant yacht with the dimensions of a pocket cruiser – it also meets the demands of everyone on board and pays fitting homage to yachting in all its guises. With many thoughtful clever details on and below deck, it boldly sets itself apart from any other boat in this class.

Whether skipper or fellow sailor, beginner or advanced, young or old, sailing hard against the wind or drifting in the sun: everyone can feel at home on the BENTE28 and enjoy the flair of a modern cruising yacht.

TECHNICAL DATA

Length _H	8,65 m
Width	2,99 m
Displacement	from 3.200 kg
Draught	1,60 m
Mainsail	33,2 m ²
Jib	22 m ²
Gennaker	72 m ²
Code-0	47,6 m ²





1 Thanks to the dodger, the room appears light, bright and airy and offers a very comfortable standing height.

2 As there is no closed wall in the bow area, a real loft atmosphere is created.

3 Practical detail solutions in the galley and saloon make life on board a pleasure.



#saildifferent

www.kainz.de



BENTE Yachts[®]

A BRAND OF THE MEICHLER + MOHR GROUP OF COMPANIES



benteyachts.com